

**3 WAYS BRASS BALL VALVE L PORT THREADED FEMALE BSP**

3 ways brass ball valve, L port, reduced bore for closing or deviating water networks, heating, watering and cooling. PTFE packing and NBR gaskets on stem, non anti blow-out stem.



**Size :** DN1/4" to DN2"  
**Connection :** Female BSP  
**Min Temperature :** -10°C  
**Max Temperature :** +120°C  
**Max Pressure :** 16 Bars  
**Specifications :** PTFE packing + 2 NBR O-ring  
2 positions  
Tightness on 3 ways  
Reduced bore

**Materials :** Brass CW617N according to EN12165

## 3 WAYS BRASS BALL VALVE L PORT THREADED FEMALE BSP

**SPECIFICATIONS :**

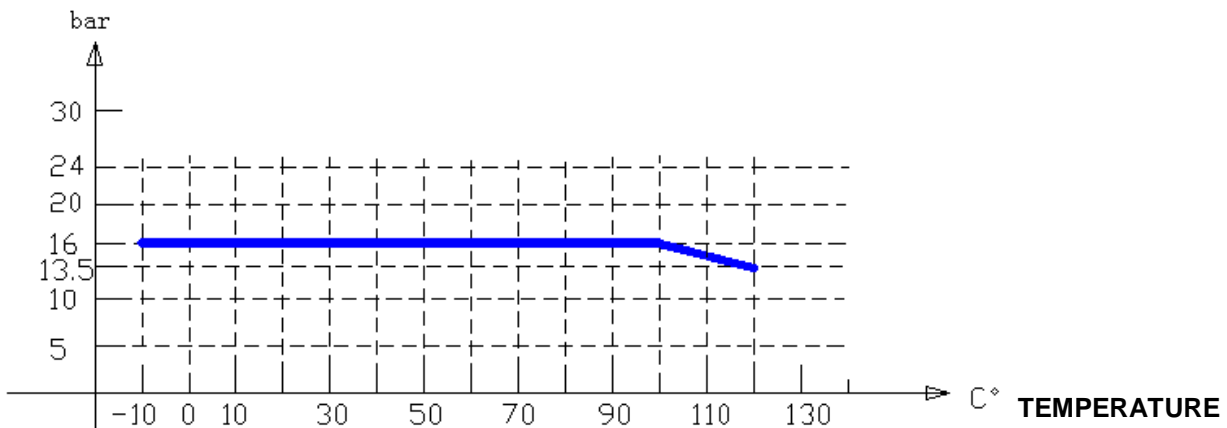
- Reduced bore
- 2 Positions
- PTFE packing + 2 NBR o-ring
- Non anti blow out stem
- Tightness on 3 ways
- L port

**USE :**

- Water, heating, watering and cooling
- Min and max Temperature Ts : -10°C to + 120°C
- Max Pressure Ps : 16 bars ( see graph )
- Differential pressure : 5 bars maxi

**PRESSURE / TEMPERATURE GRAPH ( STEAM EXCLUDED ) :**

**PRESSURE**



**RANGE :**

- 3 ways ball valve threaded female BSP cylindrical, L port **Ref. 513** from DN 1/4" to 2"

**CONNECTION :**

- Threaded BSP female cylindrical ends

**FLOW COEFFICIENT Kvs ( M3 / H ) :**

DN	1/4"	3/8"	1/2"	3/4"	1"	1"1/4	1"1/2	2"
Kvs ( M3 / H )	2.26	2.76	2.81	6.44	12.21	18.5	29.33	46.25

**HEAD LOSS CALCULATIONS:**

$\Delta p = ( Q / K_v )^2 \times SG$       Q : flow in m³/h       $\Delta p$  : Head loss in bar      SG : Specific gravity (= 1 for water)

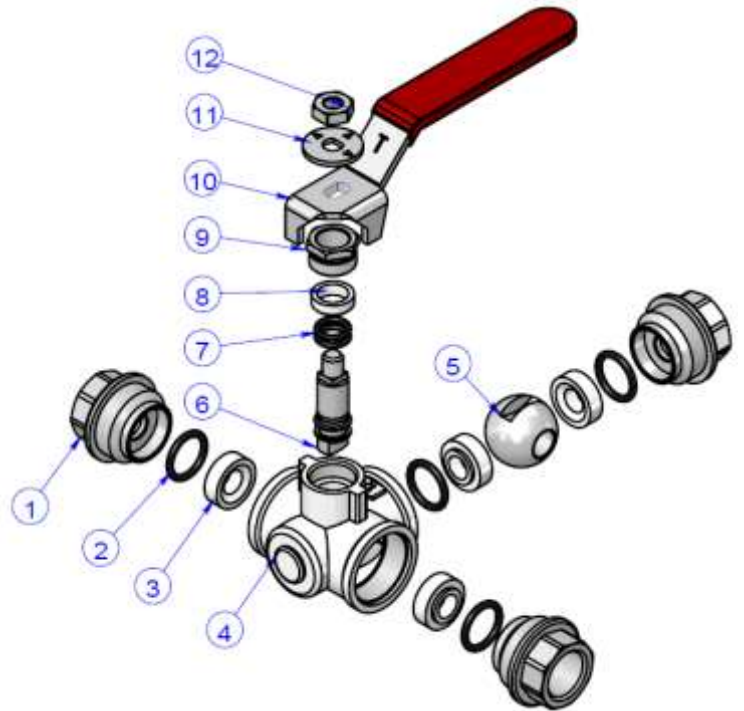
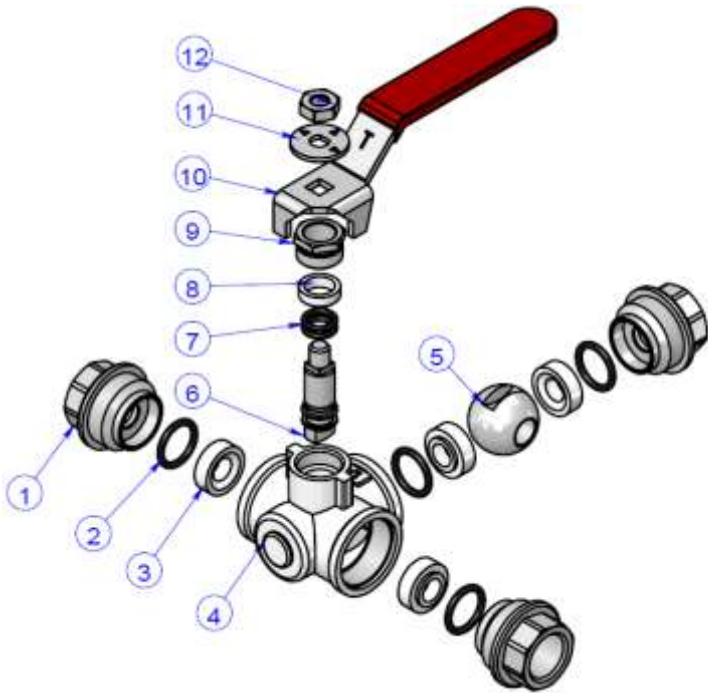
Sferaco 90 rue du Ruisseau 38297 St Quentin Fallavier Tel: + 33 (0) 474.94.15.90 Fax: + 33 (0) 474.95.62.08 Internet: [www.sferaco.com](http://www.sferaco.com) E-mail : [info@sferaco.fr](mailto:info@sferaco.fr)

**3 WAYS BRASS BALL VALVE L PORT THREADED FEMALE BSP**

**MATERIALS :**

**DN 1/4" – 3/4"**

**DN 1" – 2"**



Item	Designation	Materials
1	Bonnet	Brass CW617N nickeled according to EN12165
2	O ring	NBR
3	Seat	PTFE
4	Body	Brass CW617N nickeled according to EN12165
5	Ball	Chromed Brass
6	Stem	Brass
7	O ring	NBR
8	Packing	PTFE
9	Packing nut	Brass
10	Handle	Steel
11	Washer	Aluminium
12	Handle nut	Steel

**3 WAYS BRASS BALL VALVE L PORT THREADED FEMALE BSP**

**POSSIBLE POSITIONS DN 1/4" – 3/4" :**

**L port** ( only 2 consecutive positions are possible )

Position L1	Position L2	Position L3	Position L4	Position L5

**POSSIBLE POSITIONS DN1" – 2" :**

**L port**

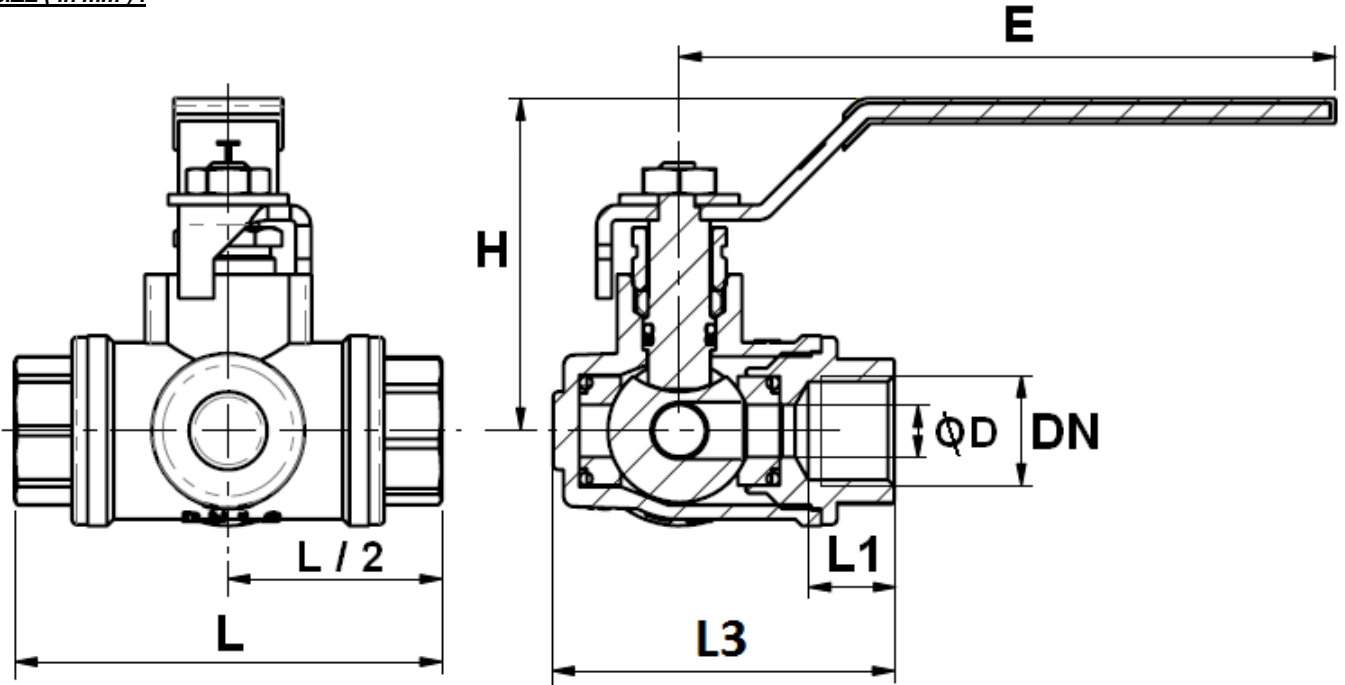
Position L1	Position L2

**OR**

Position L3	Position L4

## 3 WAYS BRASS BALL VALVE L PORT THREADED FEMALE BSP

SIZE ( in mm ) :



DN	1/4"	3/8"	1/2"	3/4"	1"	1 1/4"	1 1/2"	2"
Ø D	10	10	10	15	20	25	32	40
L	81	81	82	90.5	105	116	140	164
L1	15	15	16.5	19	21	23	28	30
L3	65	65	65.5	74	85.2	93.5	115.5	135.5
E	125.8	125.8	125.8	125.8	130	161	220	220
H	63.7	63.7	63.7	66.7	66.5	78.5	92	98
Weight (Kg)	0.69	0.66	0.66	0.87	1.44	1.95	3.67	5.31
Ref.	513002	513003	513004	513005	513006	513007	513008	513009

**STANDARDS :**

- Manufacturer certified ISO 9001 : 2015 and ISO 14001 :2015
- DIRECTIVE 2014/68/EU : Products excluded from ( Article 1, § 2.b )
- Threaded female BSP cylindrical ends according to ISO 228-1

**ADVICE :** Our opinion and our advice are not guaranteed and SFERACO shall not be liable for the consequences of damages. The customer must check the right choice of the products with the real service conditions.