

**RADIAL BI-METALLIC STAINLESS STEEL THERMOMETER D100 PLUNGER 77**

Radial bi-metallic stainless steel thermometer for gas network, not for viscous or crystallizing liquid.

Instrument glass.

Protection IP54.

Full stainless steel.



**Size :** Ø 100

**Connection :** Male 1/2" BSP

**Temperature Range :** -30°C/+50°C to 0/+200°C

**Max Pressure :** 40 Bars

**Specifications :** Full stainless steel  
Bimetallic mechanism  
Accuracy class 2  
Instrument glass

**Materials :** Stainless steel AISI 304

**RADIAL BI-METALLIC STAINLESS STEEL THERMOMETER D100 PLUNGER 77**

**SPECIFICATIONS :**

- Full stainless steel
- Bimetallic mechanism
- Instrument glass
- Plunger Ø 8 mm
- Dial Ø 100 mm
- Male 1/2" BSP threaded
- Accuracy Class 2
- Protection IP54
- Tight tube

**USE :**

- Not for viscous or crystallizing liquid
- Min and max Temperature Ts :- 30°C/+50°C to 0°C/+ 200°C
- Max pressure Ps : 40 bars

**RANGE :**

- Stainless steel bimetallic dial thermometer with bottom connection and plunger 77 mm, graduation from -30 to + 50°C **Ref. 1680001**
- Stainless steel bimetallic dial thermometer with bottom connection and plunger 77 mm, graduation from 0 to + 120°C **Ref. 1680002**
- Stainless steel bimetallic dial thermometer with bottom connection and plunger 77 mm, graduation from 0 to + 160°C **Ref. 1680003**
- Stainless steel bimetallic dial thermometer with bottom connection and plunger 77 mm, graduation from 0 to + 200°C **Ref. 1680004**

**ACCESSORIES :**



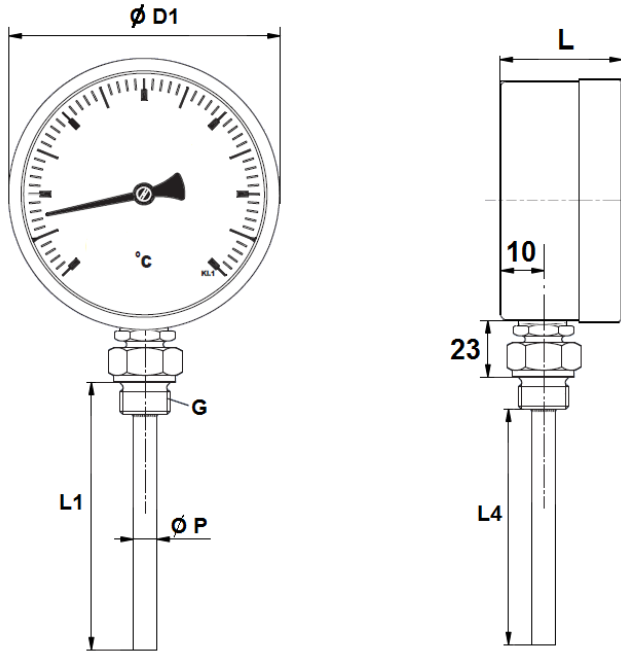
- S.S. thermowells 1/2" BSP threaded for plunger 77 mm **Ref. 9880210**

**RADIAL BI-METALLIC STAINLESS STEEL THERMOMETER D100 PLUNGER 77****MATERIALS :**

<b>DESIGNATION</b>	<b>MATERIALS</b>
<b>Box</b>	<b>AISI 304</b>
<b>Fitting</b>	
<b>Mechanism</b>	
<b>Dial</b>	<b>Duralumin</b>
<b>Glass</b>	<b>Instrument glass</b>
<b>Needle</b>	<b>Duralumin</b>

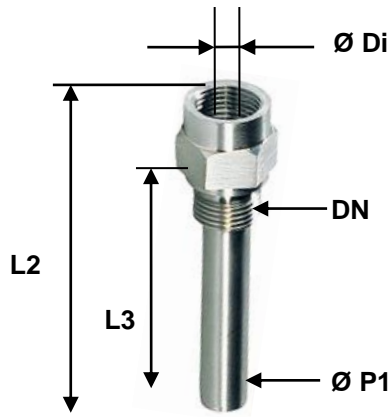
**RADIAL BI-METALLIC STAINLESS STEEL THERMOMETER D100 PLUNGER 77**

**THERMOMETER SIZE ( in mm ) :**



Ref.	1680
Ø D1	109
L	50
L1	77
L4	63
G	1/2"
Ø P	8
Weight ( kg )	0.31

**STAINLESS STEEL THERMOWELLS SIZE ( in mm ) :**



Ref.	9880210
DN	1/2"
L2	90
L3	65
Ø Di	11
Ø P1	14
Weight ( Kg )	0.11

**RADIAL BI-METALLIC STAINLESS STEEL THERMOMETER D100 PLUNGER 77**

**STANDARDS :**

- Manufacturer certified **ISO 9001 : 2015**
- Designing according to **EN 13190**
- **DIRECTIVE 2014/68/EU** : Products excluded from directive ( article 4, § 3 )

**ADVICE** : Our opinion and our advice are not guaranteed and SFERACO shall not be liable for the consequences of damages.  
The customer must check the right choice of the products with the real service conditions.