

## STAINLESS STEEL 3 PIECES DISC CHECK VALVE FEMALE NPT

3 pieces disc check valve female NPT for drinking water, chemical and pharmaceutical industries, petrochemical industries, hydraulic installation, compressed air.

Stainless steel type with PTFE gaskets. All positions.

Removable central part for an easy maintenance.

Metal/metal tightness (leakage rate according to API 598 standard)



**Size :** DN1/4" to DN2"

**Connection :** Female NPT

**Min Temperature :** -20°C

**Max Temperature :** +200°C

**Max Pressure :** 63 Bars

**Specifications :** Disc type

All positions

Metal/metal tightness

In accordance with the regulation EC 1935-2004

**Materials :** Stainless steel EN 1.4408

**STAINLESS STEEL 3 PIECES DISC CHECK VALVE FEMALE NPT**

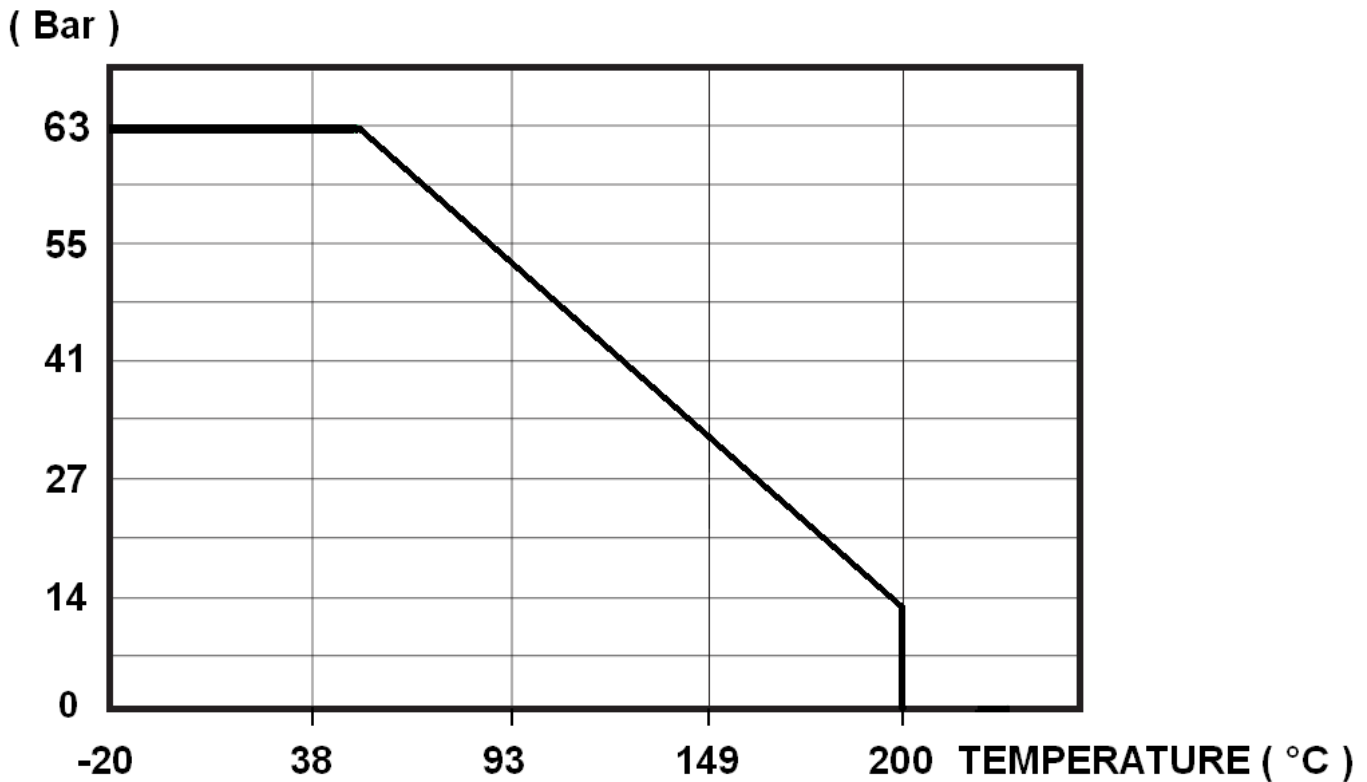
**SPECIFICATIONS :**

- 3 pieces spring type
- All positions (respect the flow direction indicated by the arrow )
- Metal / metal tightness
- Stainless steel

**USE :**

- Chemical and pharmaceutical industries, petrochemical industries, hydraulic installation, compressed air, potable water
- Min Temperature Ts : - 20°C
- Max Temperature Ts :+ 200°C
- Max Pressure Ps : 63 bars ( see graph under )
- Steam : 11 bars max

**PRESSURE / TEMPERATURE GRAPH ( STEAM EXCLUDED ) :**

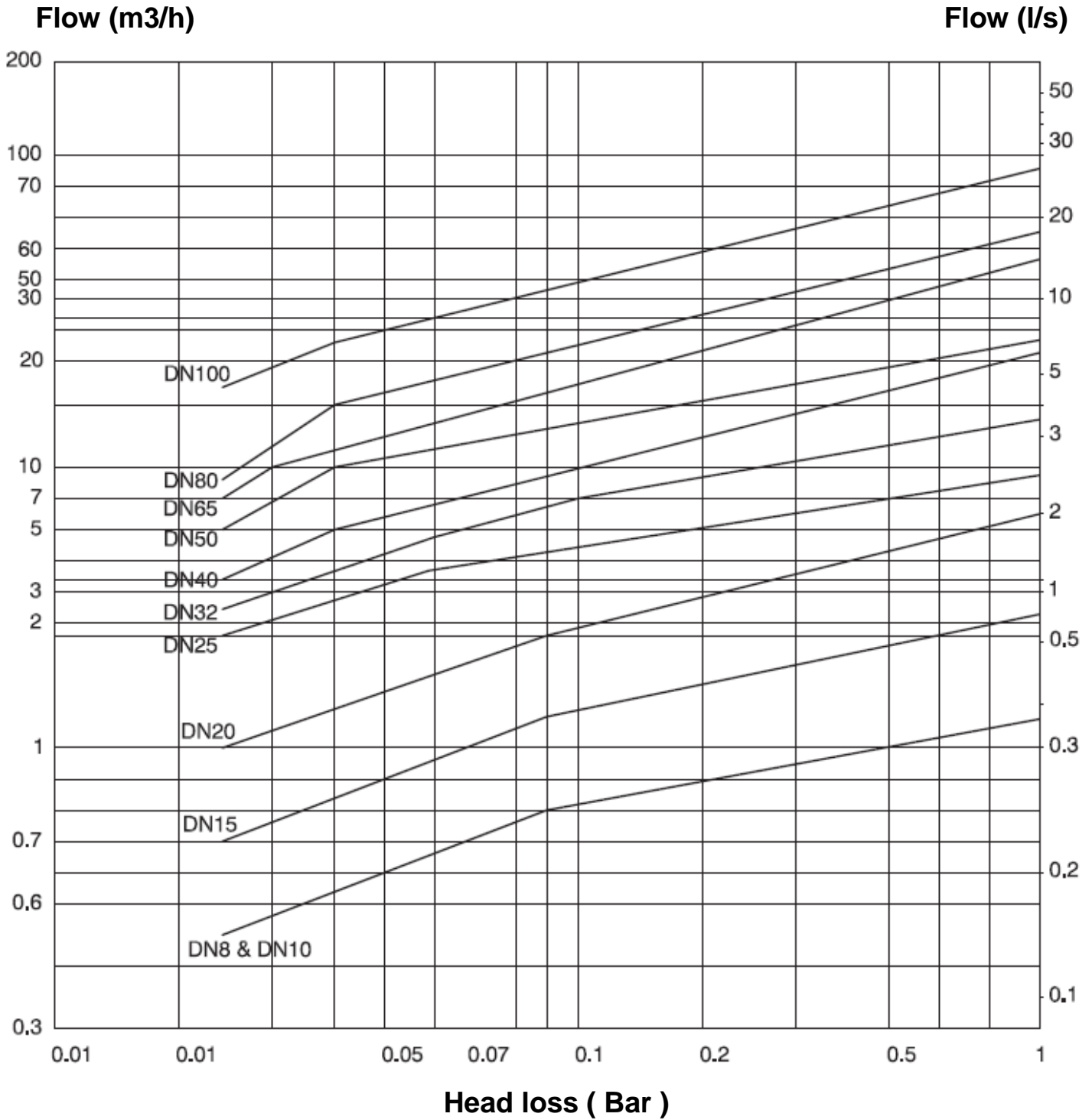


**FLOW COEFFICIENT Kvs ( M3 / h ) :**

NPS (")	1/4"	3/8"	1/2"	3/4"	1"	1"1/4	1"1/2	2"
DN (mm)	8	10	15	20	25	32	40	50
Kvs ( m3/h )	1.23	1.23	2.24	6.5	9.61	15.89	22.49	25.12

**STAINLESS STEEL 3 PIECES DISC CHECK VALVE FEMALE NPT**

HEAD LOSS GRAPH :



**STAINLESS STEEL 3 PIECES DISC CHECK VALVE FEMALE NPT**

**LEAKAGE RATE ACCORDING TO API 598 (DURING 60s):**

NPS (")	1/4"	3/8"	1/2"	3/4"	1"	1"1/4"	1"1/2"	2"
DN	8	10	15	20	25	32	40	50
Liquid Test ( cc/min )	6							
Gas Test (m3/h)	0.08							

**OPENING PRESSURE ( in mbar ) :**

DN	Vertical Position ascending fluid	Horizontal Position
DN 08	25 ↑	23 →
DN 10	25 ↑	23 →
DN 15	25 ↑	23 →
DN 20	25 ↑	23 →
DN 25	25 ↑	23 →
DN 32	27 ↑	24 →
DN 40	29 ↑	25 →
DN 50	29 ↑	25 →
DN 65	31 ↑	25 →
DN 80	32 ↑	26 →
DN100	33 ↑	27 →

**BOLT TIGHTENING TABLE ( in Nm):**

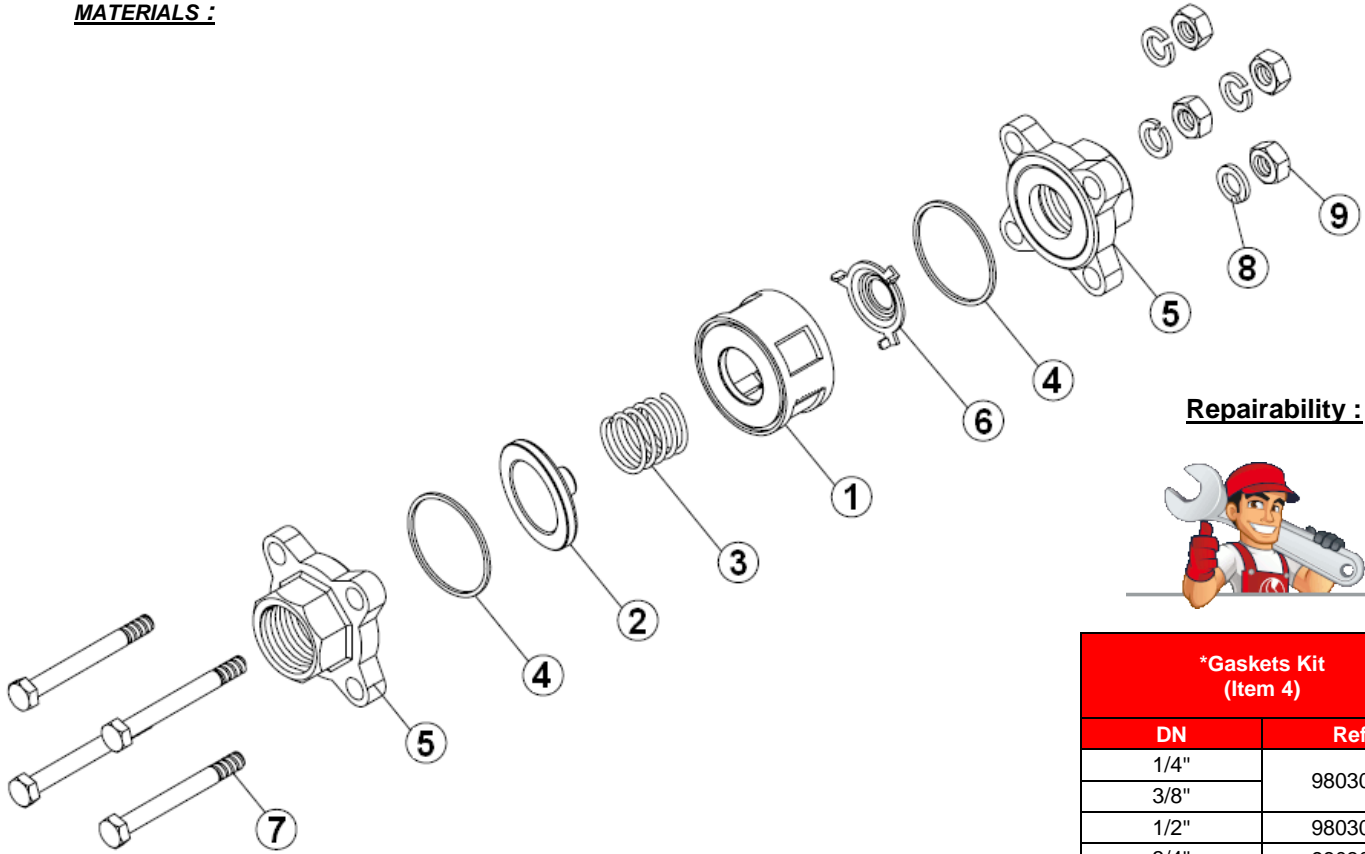
DN	1/4"	3/8"	1/2"	3/4"	1"	1"1/4"	1"1/2"	2"
Torque ( Nm )	30	30	30	30	45	45	45	60

**RANGE :**

- 3 pieces disc check valve female / female threaded NPT **Ref. 384** from DN 1/4" to DN 2"

**STAINLESS STEEL 3 PIECES DISC CHECK VALVE FEMALE NPT**

**MATERIALS :**



**Repairability :**



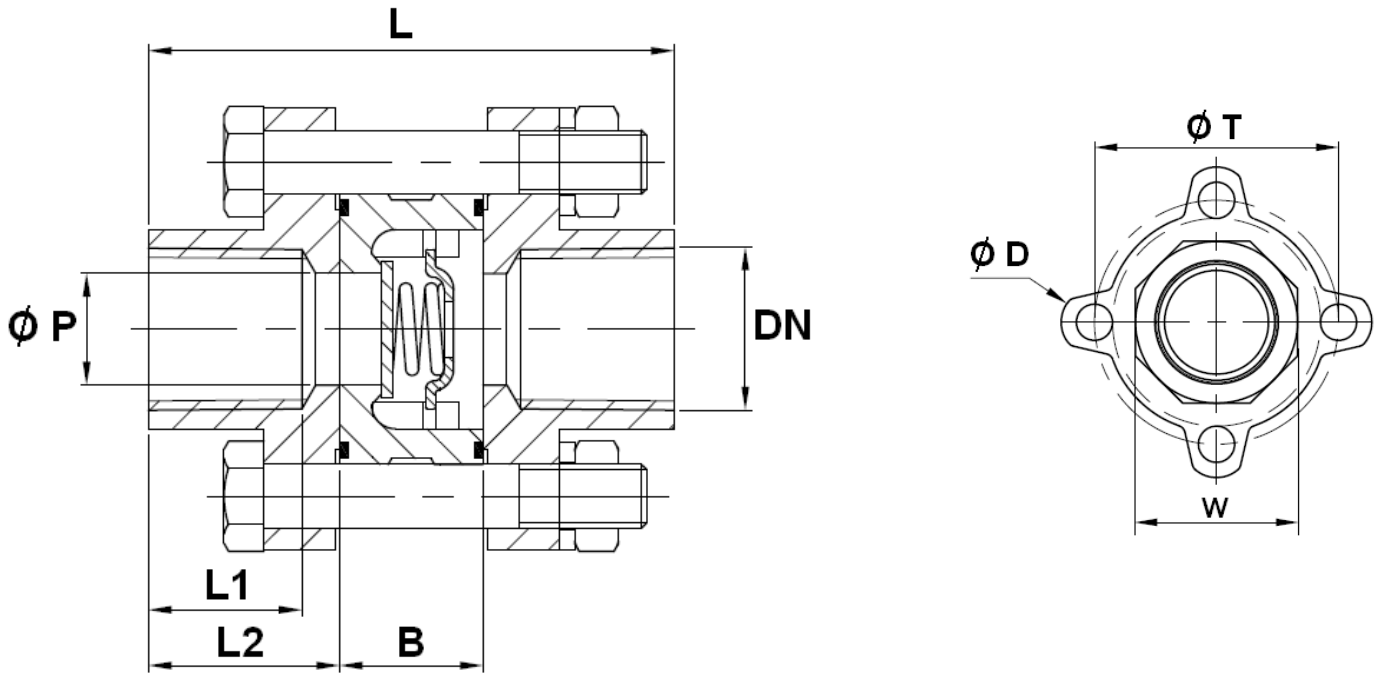
*Gaskets Kit (Item 4)	
DN	Ref.
1/4"	9803023
3/8"	
1/2"	9803024
3/4"	9803025
1"	9803026
1 1/4"	9803027
1 1/2"	9803028
2"	9803029

\*Included in gaskets kit

Item	Designation	Materials
1	Body	EN 1.4408
2	Disc	ASTM A240-316
3	Spring	
4*	Gasket (x2)	PTFE
5	Ends	EN 1.4408
6	Spring holder	ASTM A240-316
7	Screw	AISI 304
8	Washer	
9	Nut	

**STAINLESS STEEL 3 PIECES DISC CHECK VALVE FEMALE NPT**

**SIZE ( in mm ) :**



DN	1/4"	3/8"	1/2"	3/4"	1"	1"1/4	1"1/2	2"
Ø P	10	10	14	19	25	31	39	49
L	60	60	63	71	81.5	91	97.5	117
L1	16	16	18	20	20	23	23	27
L2	21	21	22	23.5	26	29	30	35
B	18	18	19	24	29.5	33	37.5	47
Ø D	12	12	14	16	16	18	18	18
Ø T	36.5	36.5	42.7	51.7	58.7	72.7	83.7	98.7
W	22	22	26	32	39	49	56	69
Weight (in Kg)	0.24	0.24	0.36	0.5	0.73	1.18	1.61	2.45
Ref.	384002	384003	384004	384005	384006	384007	384008	384009

**STAINLESS STEEL 3 PIECES DISC CHECK VALVE FEMALE NPT****STANDARDS :**

- Manufacturer certified ISO 9001 : 2015 and ISO 14001 :2015
- DIRECTIVE 2014/68/EU : For liquids and gas of Group 1
  - DN1/4"-1" : Article 4, §3 (SEP), no CE marking
  - DN1"1/4-2" : Risk Category II, CE0035 marking
- Certificate 3.1 on request
- Construction according to EN 12516-1
- Designing according to ASME B16.34
- Pressure tests according to API 598, table 6
- NPT threaded ends according to ANSI B1.20.1
- ATEX Group II Category 2 G/2D Zone 1 & 21 Zone 2 & 22 ( optional marking )
- French water agreement **A.C.S. N° 22 ACC LY 722 from DN1/4" to 2"**
- Check valve in accordance with the regulation **(EC) N° 1935-2004 on request**

**ADVICE :** Our opinion and our advice are not guaranteed and SFERACO shall not be liable for the consequences of damages.  
The customer must check the right choice of the products with the real service conditions.